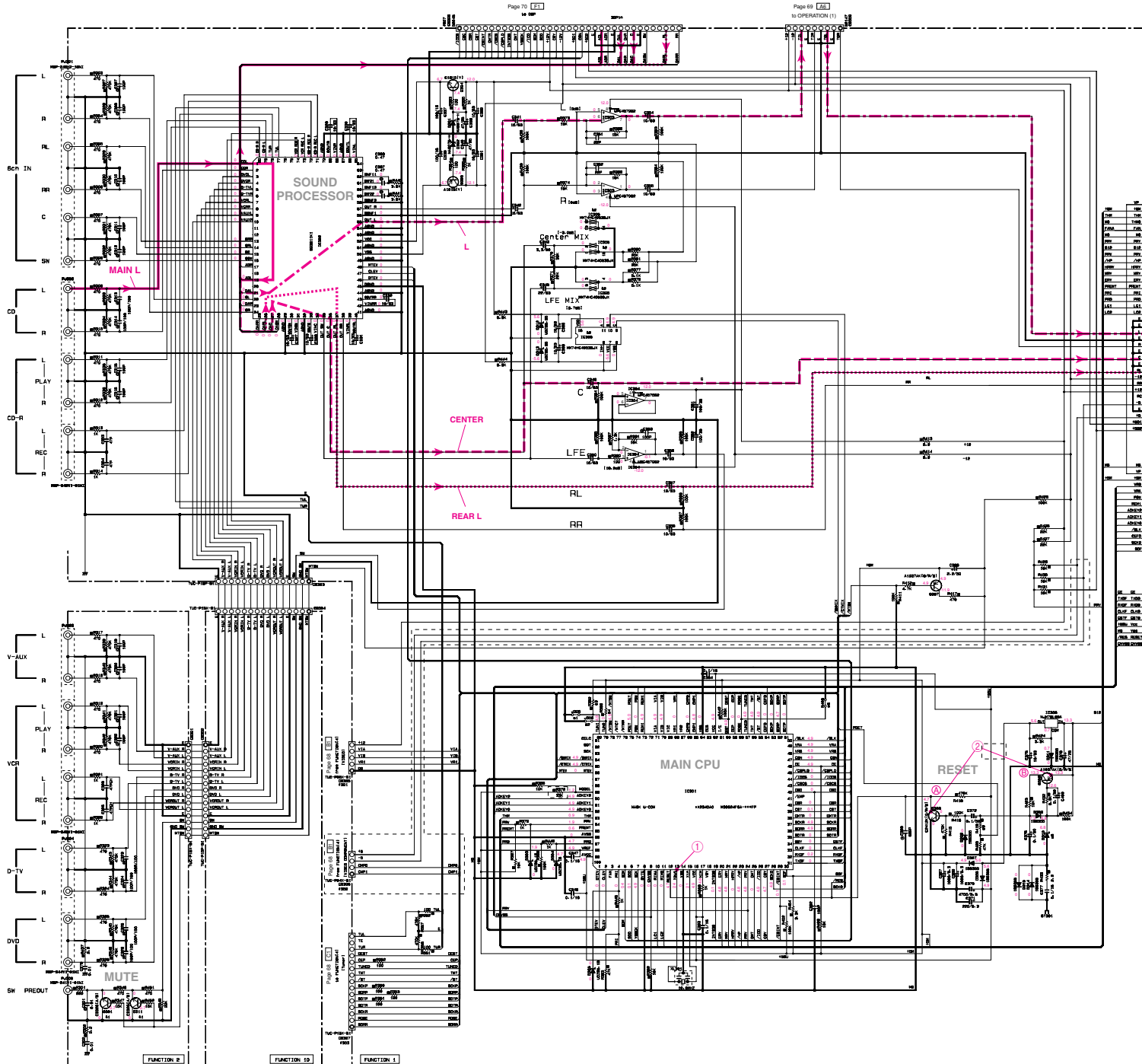


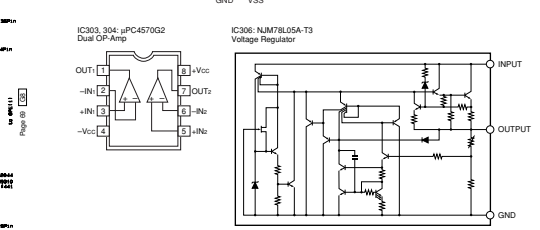
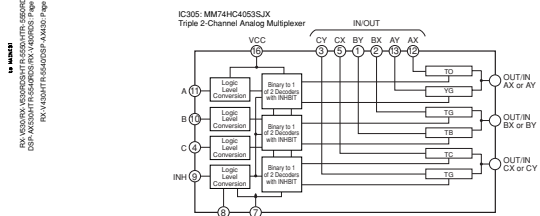
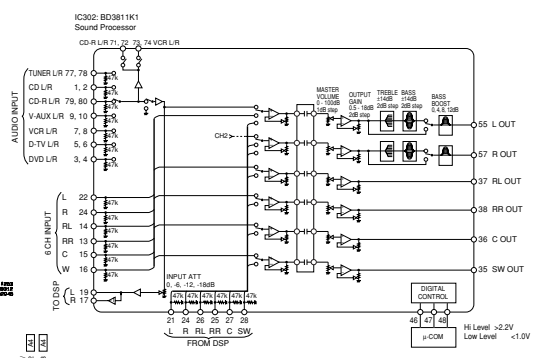
■ SCHEMATIC DIAGRAM (FUNCTION 1/2)

* All voltages are measured with a 10MΩ/V DC electric volt meter.
 * Components having special characteristics are marked with a triangle, and must be replaced with parts having specifications equal to those originally installed.
 * Schematic diagram is subject to change without notice.

● 電圧は、内部抵抗10MΩの電圧計で測定したものです。
 ● 印のある部品は、安全性確保部品を示しています。部品の交換が必要な場合、パーツリストに記載されている部品を使用してください。
 ● 本回路図は標準回路図です。改良のため予告なく変更することがございます。



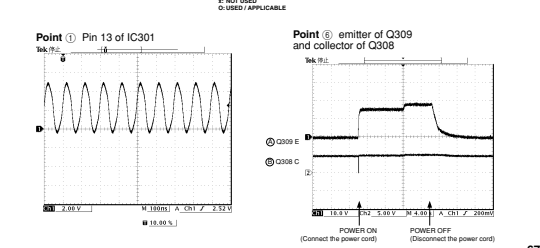
RX-V530/RX-V530RDS/HTR-5550/HTR-5550RDS/DSP-AX530
 RX-V430/RX-V430RDS/HTR-5540/HTR-5540RDS/DSP-AX430



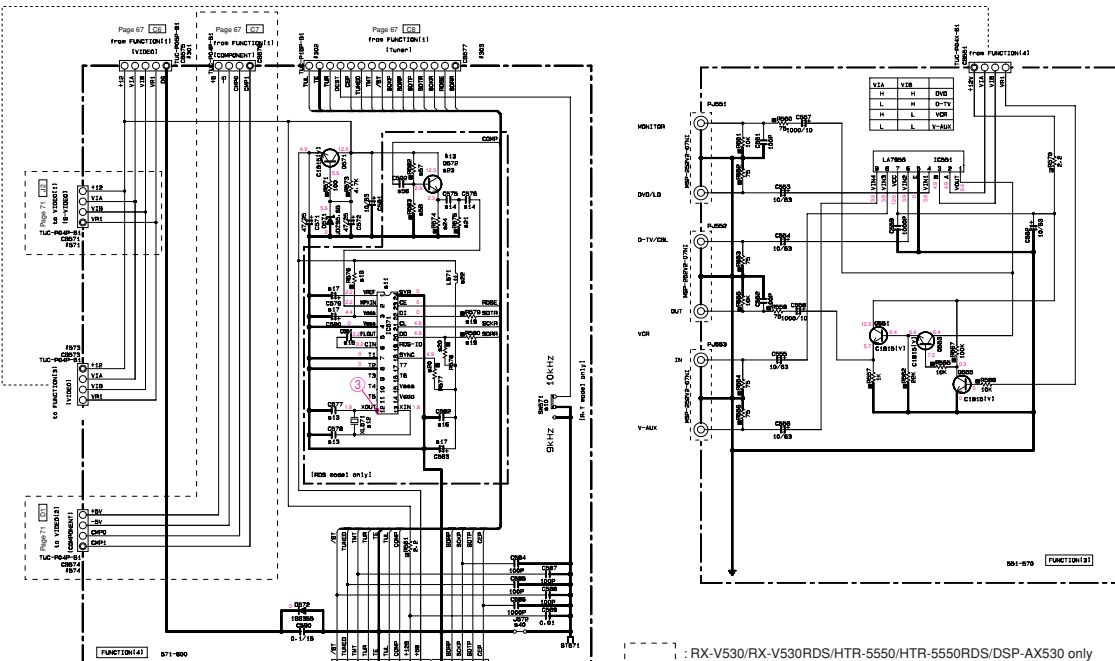
CAPACITOR		RESISTOR	
REMARKS	PARTS NAME	REMARKS	PARTS NAME
NO MARK	ELECTROLYTIC CAPACITOR	NO MARK	CARBON FILM RESISTOR (P-5)
⊖	TANTALUM CAPACITOR	⊖	CARBON FILM RESISTOR (P-10)
NO MARK	CERAMIC CAPACITOR	Δ	METAL OXIDE FILM RESISTOR
⊖	CERAMIC TUNABLE CAPACITOR	⊖	METAL FILM RESISTOR
⊖	POLYESTER FILM CAPACITOR	⊖	METAL PLATE RESISTOR
⊖	POLYPROPYLENE FILM CAPACITOR	⊖	FILM WOUND CARBON FILM RESISTOR
⊖	MYICA CAPACITOR	⊖	CURRENT HOLDING RESISTOR
⊖	POLYPROPYLENE FILM CAPACITOR	⊖	DRIFT VARIABLE RESISTOR
⊖	BIPOCONDUCTIVE CERAMIC CAPACITOR	⊖	DRIFT RESISTOR

NOTICE (model)
 (J) JAPAN
 (U) U.S.A.
 (C) CANADIAN
 (R) GENERAL
 (A) AUSTRALIAN
 (B) BRITISH
 (E) EUROPEAN
 (I) ITALY
 (L) SINGAPORE

Part No.	Part Name	QTY	Remarks
41	RES	1	RESISTOR
42	RES	1	RESISTOR
43	RES	1	RESISTOR
44	RES	1	RESISTOR
45	RES	1	RESISTOR
46	RES	1	RESISTOR
47	RES	1	RESISTOR
48	RES	1	RESISTOR
49	RES	1	RESISTOR
50	RES	1	RESISTOR



■ SCHEMATIC DIAGRAM (FUNCTION 2/2)



CAPACITOR

REMARKS	PARTS NAME
NO MARK	ELECTROLYTIC CAPACITOR
①	TANTALUM CAPACITOR
NO MARK	CERAMIC CAPACITOR
②	CERAMIC TUBULAR CAPACITOR
③	POLYESTER FILM CAPACITOR
④	POLYETHYLENE FILM CAPACITOR
⑤	MICA CAPACITOR
⑥	POLYPROPYLENE FILM CAPACITOR
⑦	SEMICONDUCTIVE CERAMIC CAPACITOR

RESISTOR

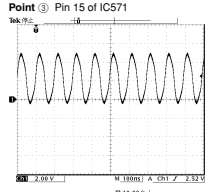
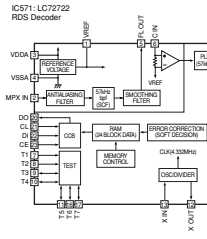
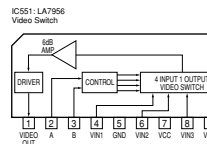
REMARKS	PARTS NAME
NO MARK	CARBON FILM RESISTOR (P=5)
①	CARBON FILM RESISTOR (P=10)
△	METAL OXIDE FILM RESISTOR
□	METAL FILM RESISTOR
②	METAL PLATE RESISTOR
③	FINE PITCH CARBON FILM RESISTOR
④	CEMENT MOLDED RESISTOR
⑤	SEMI-VARIABLE RESISTOR
⑥	CHIP RESISTOR

NOTICE (model)

(J)..... JAPANESE
 (U)..... U.S.A
 (C)..... CANADIAN
 (E)..... EUROPEAN
 (A)..... AUSTRALIAN
 (B)..... BRITISH
 (G)..... EUROPEAN
 (T)..... CHINA
 (L)..... SINGAPORE

Interchangeable Parts at Manufacture-Stage

Mark	Reference Number	Parts Name
512	R1901	80T-S-1134R 80101+10111 AL3321
513	C0870	99C1746(1/4/3) 99C846(1/4/1) 99C311(1/4/1/2)



	J	U.C	R.T	A	B	G	L	K
510	80071	X	X	VP0004B V80030	X	X	X	X
511	82871	X	X	X	X	X	X	X
512	AL871	X	X	X	X	4.3004R V80000	X	X
513	8277-878	X	X	X	X	2790H V478110	X	X
514	8278-878	X	X	X	X	LM82878 V80000	X	X
515	C0870	X	X	X	X	800T LM82878	X	X
516	C0870	X	X	X	X	0.1/1/6 LM82878	X	X
517	8278-583-583	X	X	X	X	4778 LM82878	X	X
518	8078	X	X	X	X	100 R028710	X	X
519	8078-800	X	X	X	X	470 R028547	X	X
520	8077-878	X	X	X	X	10K R028710	X	X
521	8078	X	X	X	X	20K R028732	X	X
522	L871	X	X	X	X	200uH V480000	X	X
523	8078	X	X	X	X	1C17400 1C17400	X	X
524	8074	X	X	X	X	0.3K R028883	X	X
525	V081	0	0	X	0	0	0	0
526	0000-804	X	X	0298H(L=K) V81080	X	X	X	X
527	0008	X	X	140000 V81000	X	X	X	X
528	0003	X	X	18030 V81000	X	X	X	X
529	0003	X	X	10C130 V117280	X	X	X	X
530	0005	X	X	10C100 LM82710	X	X	X	X
531	1821	X	X	X	X	X	X	X
532	18281	V184310	V184310	V180740	V181000	V184300	V184340	V184340
533	V080	0	0	0	0	0	0	0
534	0000-803	X	X	X	X	X	VP0000	VP0000
535	F801	X	X	X	X	X	TR-8A400V V18020	TR-8A400V V18020
536	V043	X	X	H00614	X	X	X	X
537	V041	X	X	H0480	X	X	X	X
538	V045	X	X	H0480	X	X	X	X
539	V042	X	X	H00618	X	X	X	X
540	V044	X	X	H00620	X	X	X	X
541	V046	X	X	H0480	X	X	X	X
542	V0441	X	X	V71830	X	X	X	X
543	00041-042	X	X	VP0000	X	X	X	X
544	F041	X	X	TR-15A120V V80078	X	X	X	X
545	F002	7A120V V80080	7A120V VP0000	7A120V V80078	TR-15A120V V80078	TR-15A120V V80078	TR-15A120V V80078	TR-15A120V V80078
546	F003	X	X	1/200, 0N VP0000	X	X	X	X
548	0003	X	X	1C2111 1C1280	X	X	X	X
549	0003-800	X	X	1/200 LM82710	X	X	X	X
550	F000-804	X	X	100 R028810	X	X	X	X
551	F002	X	X	50K R028788	X	X	X	X
554	0007	0-01 UM82410	0-01 UM82410	X	0-01 UM82410	0-01 UM82410	0-01 UM82410	0-01 UM82410
555	0000-809	X	X	0-01 UM82410	X	X	X	X
556	0000	X	X	X	100K UM82410	100K UM82410	X	X
557	F000	X	X	X	100K R028810	100K R028810	X	X
558	F000	X	X	X	75K R028788	75K R028788	X	X
559	V047	X	X	X	X	X	X	H00607

* NOT USED
 0 USED / APPLICABLE

* All voltages are measured with a 10MΩ/V DC electric volt meter.
 * Components having special characteristics are marked 1, and must be replaced with parts having specifications equal to those originally installed.
 * Schematic diagram is subject to change without notice.

● 電圧は、内部抵抗10MΩの電圧計で測定したものです。
 ● 1印のある部品は、安全性確保部品を示しています。部品の交換が必要な場合、必ずリストに記載されている部品を参照してください。
 ● 本回路図は標準回路図です。改良のため予告なく変更することがございます。

■ SCHEMATIC DIAGRAM (OPERATION)

REMARKS	PARTS NAME	
NO MARK	ELECTROLYTIC CAPACITOR	☐
⊗	TANTALUM CAPACITOR	☐
NO MARK	CERAMIC CAPACITOR	
⊙	CERAMIC TUBULAR CAPACITOR	
⊖	POLYESTER FILM CAPACITOR	
⊕	POLYSTYRENE FILM CAPACITOR	
Ⓜ	MICA CAPACITOR	
Ⓟ	POLYPROPYLENE FILM CAPACITOR	
Ⓢ	SEMICONDUCTIVE CERAMIC CAPACITOR	
Ⓣ	POLYPHENYLENE SULFIDE FILM CAPACITOR	

REMARKS	PARTS NAME	
NO MARK	CARBON FILM RESISTOR (P=5)	□
□	CARBON FILM RESISTOR (P=10)	□
△	METAL OXIDE FILM RESISTOR	△
▲	METAL FILM RESISTOR	▲
⊠	METAL PLATE RESISTOR	⊠
⊞	FIRE PROOF CARBON FILM RESISTOR	⊞
⊞	CEMENT MOLDED RESISTOR	⊞
⊞	SEMI VARIABLE RESISTOR	⊞
■	CHIP RESISTOR	■

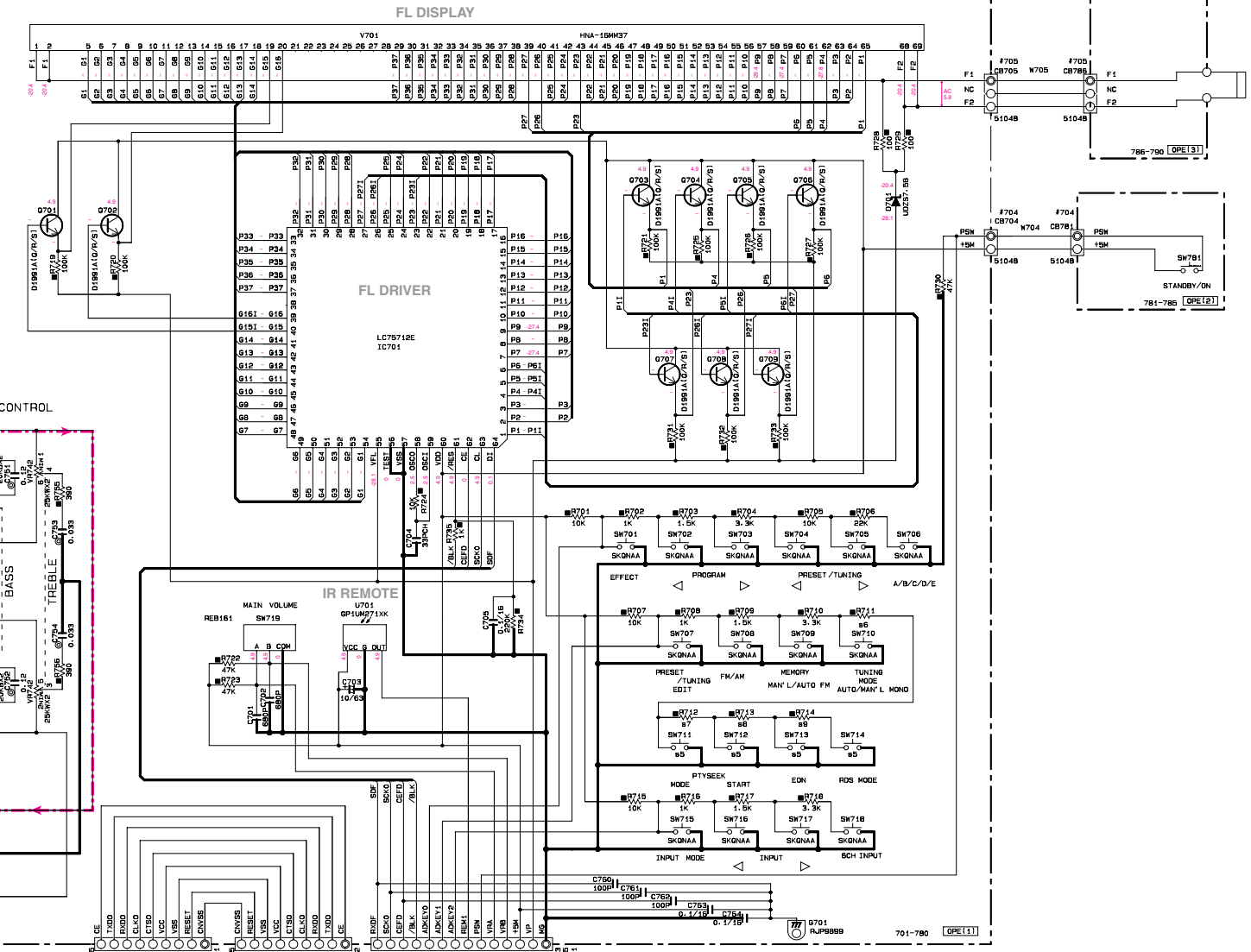
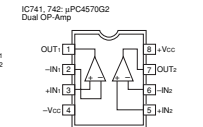
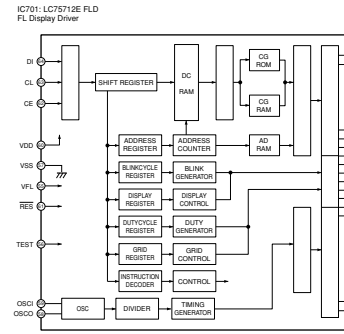
NOTICE (model)

- (J)..... JAPANESE
- (U)..... U. S. A
- (C)..... CANADIAN
- (R)..... GENERAL
- (A)..... AUSTRALIAN
- (B)..... BRITISH
- (G)..... EUROPEAN
- (T)..... CHINA
- (L)..... SINGAPORE

	J-U-C-R-T K-A-L	B-G
#5 SW711-714	×	VV02030
#6 R711	×	10K R036710
#7 R712	×	20K R036722
#8 R713	×	47K R036747
#9 R714	×	200K R036822

- * All voltages are measured with a 10M Ω /V DC electric volt meter.
- * Components having special characteristics are marked 1, and must be replaced with parts having specifications equal to those originally installed.
- * Schematic diagram is subject to change without notice.

- 電圧は、内部抵抗10M Ω の電圧計で測定したものです。
- 1印のある部品は、安全性確保部品を示しています。部品の交換が必要な場合、パーツリストに記載されている部品を使用してください。
- 本回路図は標準回路図です。改良のため予告なく変更することがございます。



Page 57 [LT] to FUNCTION (1)

Flash U-con Write Connector Page 67 [S]

Page 67 [S]

701-790 [OPE11]

SCHEMATIC DIAGRAM (DSP)

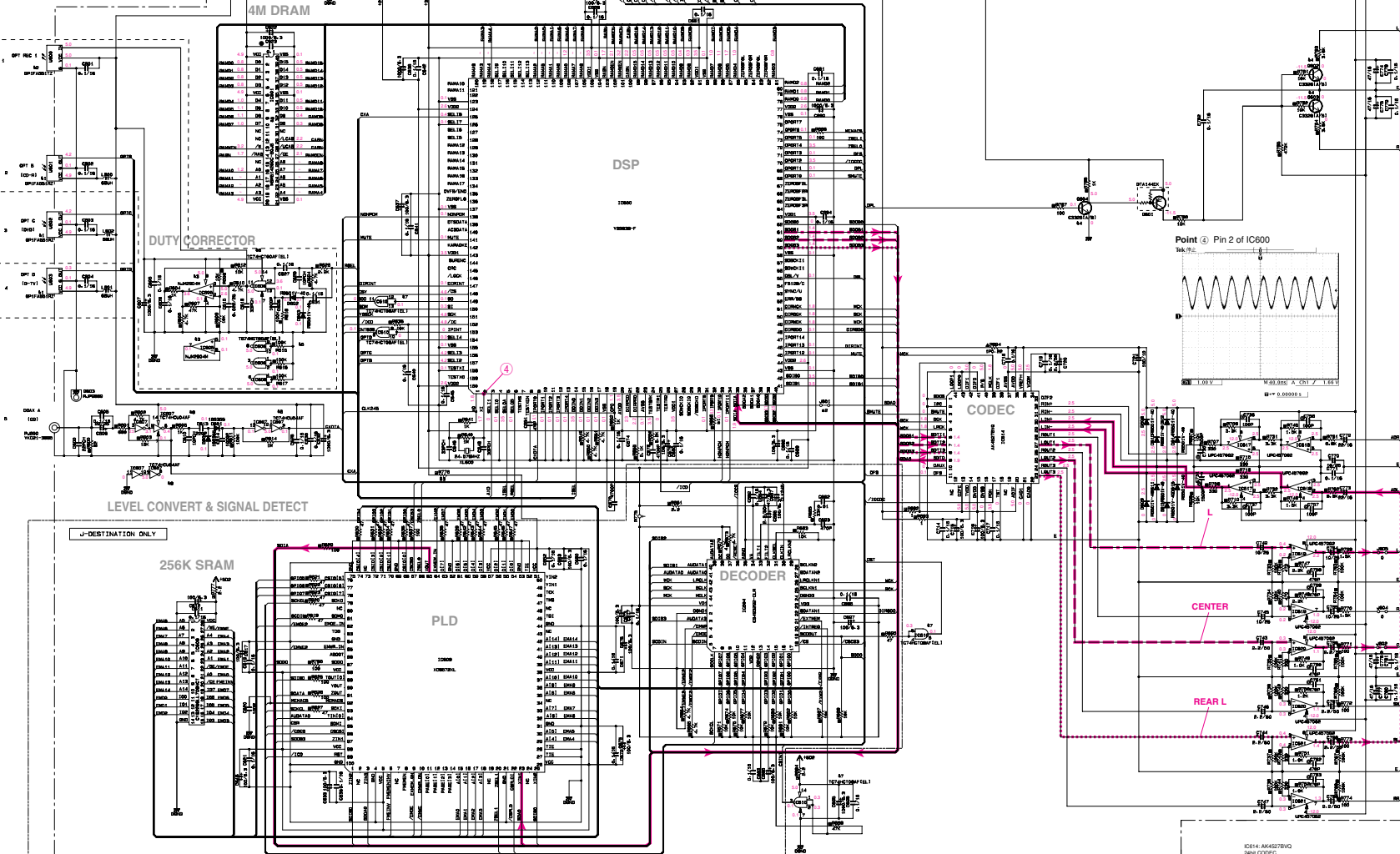
Page 67
to FUNCTION (1)

RESISTOR

REMARKS	PARTS NAME
NO MARK	CARBON FILM RESISTOR (P-FB)
□	CARBON FILM RESISTOR (P-10)
△	METAL FILM RESISTOR
◇	METAL PLATE RESISTOR
▽	THICK PROOF CARBON FILM RESISTOR
○	CONDUCTIVE NON-IND. RESISTOR
⊖	HEMI-VARIABLE RESISTOR
⊕	COXP. RESISTOR

CAPACITOR

REMARKS	PARTS NAME
NO MARK	ELECTROLYTIC CAPACITOR
□	PANTALUM CAPACITOR
○	CERAMIC CAPACITOR
◇	CERAMIC TUBULAR CAPACITOR
▽	POLYESTER FILM CAPACITOR
○	POLYETHYLENE FILM CAPACITOR
◇	NICA CAPACITOR
▽	POLYPROPYLENE FILM CAPACITOR
○	PERFORMANCE TYPE CERAMIC CAPACITOR
◇	POLYETHYLENE SULFIDE FILM CAPACITOR

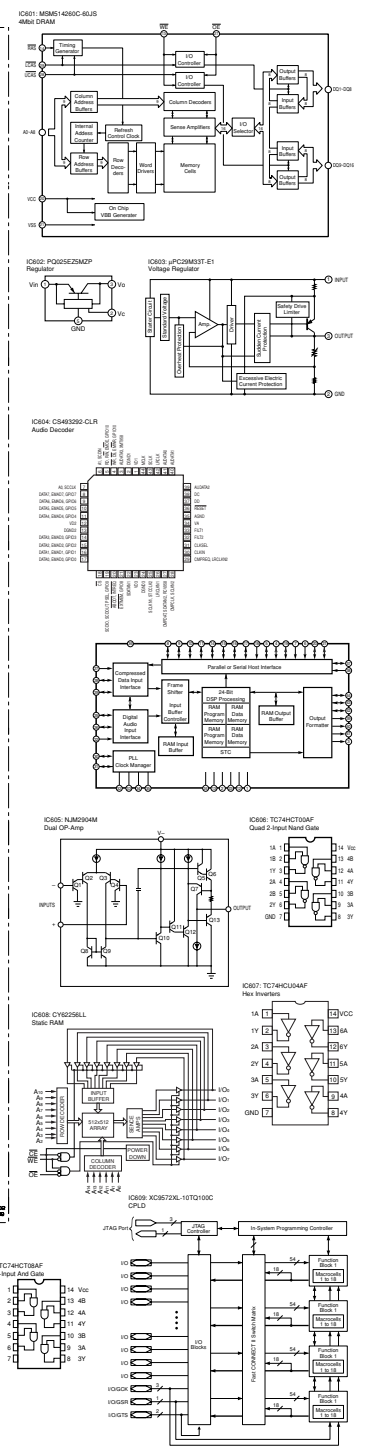


NOTICE (model)

Model	Country
J	JAPANESE
U	U.S.A.
C	CANADIAN
R	GENERAL
A	AUSTRALIAN
B	INDI TISH
E	EUROPEAN
T	CHINA
S	SINGAPORE

Interchangeable Parts at Manufacture Stage

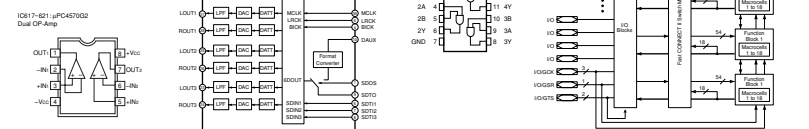
Part No.	Part Name	IC No.	Manufacturer	Remarks
1	REG	7805	ROHM	4-76 HCB647
2	OP	OP07	ADI	AD-500000
3	OP	OP77	ADI	AD-500000
4	OP	OP10	ADI	AD-500000
5	OP	OP11	ADI	AD-500000
6	OP	OP12	ADI	AD-500000
7	OP	OP13	ADI	AD-500000
8	OP	OP14	ADI	AD-500000
9	OP	OP15	ADI	AD-500000
10	OP	OP16	ADI	AD-500000
11	OP	OP17	ADI	AD-500000
12	OP	OP18	ADI	AD-500000
13	OP	OP19	ADI	AD-500000
14	OP	OP20	ADI	AD-500000
15	OP	OP21	ADI	AD-500000
16	OP	OP22	ADI	AD-500000
17	OP	OP23	ADI	AD-500000
18	OP	OP24	ADI	AD-500000
19	OP	OP25	ADI	AD-500000
20	OP	OP26	ADI	AD-500000
21	OP	OP27	ADI	AD-500000
22	OP	OP28	ADI	AD-500000
23	OP	OP29	ADI	AD-500000
24	OP	OP30	ADI	AD-500000
25	OP	OP31	ADI	AD-500000
26	OP	OP32	ADI	AD-500000
27	OP	OP33	ADI	AD-500000
28	OP	OP34	ADI	AD-500000
29	OP	OP35	ADI	AD-500000
30	OP	OP36	ADI	AD-500000
31	OP	OP37	ADI	AD-500000
32	OP	OP38	ADI	AD-500000
33	OP	OP39	ADI	AD-500000
34	OP	OP40	ADI	AD-500000
35	OP	OP41	ADI	AD-500000
36	OP	OP42	ADI	AD-500000
37	OP	OP43	ADI	AD-500000
38	OP	OP44	ADI	AD-500000
39	OP	OP45	ADI	AD-500000
40	OP	OP46	ADI	AD-500000
41	OP	OP47	ADI	AD-500000
42	OP	OP48	ADI	AD-500000
43	OP	OP49	ADI	AD-500000
44	OP	OP50	ADI	AD-500000
45	OP	OP51	ADI	AD-500000
46	OP	OP52	ADI	AD-500000
47	OP	OP53	ADI	AD-500000
48	OP	OP54	ADI	AD-500000
49	OP	OP55	ADI	AD-500000
50	OP	OP56	ADI	AD-500000
51	OP	OP57	ADI	AD-500000
52	OP	OP58	ADI	AD-500000
53	OP	OP59	ADI	AD-500000
54	OP	OP60	ADI	AD-500000
55	OP	OP61	ADI	AD-500000
56	OP	OP62	ADI	AD-500000
57	OP	OP63	ADI	AD-500000
58	OP	OP64	ADI	AD-500000
59	OP	OP65	ADI	AD-500000
60	OP	OP66	ADI	AD-500000
61	OP	OP67	ADI	AD-500000
62	OP	OP68	ADI	AD-500000
63	OP	OP69	ADI	AD-500000
64	OP	OP70	ADI	AD-500000
65	OP	OP71	ADI	AD-500000
66	OP	OP72	ADI	AD-500000
67	OP	OP73	ADI	AD-500000
68	OP	OP74	ADI	AD-500000
69	OP	OP75	ADI	AD-500000
70	OP	OP76	ADI	AD-500000
71	OP	OP77	ADI	AD-500000
72	OP	OP78	ADI	AD-500000
73	OP	OP79	ADI	AD-500000
74	OP	OP80	ADI	AD-500000
75	OP	OP81	ADI	AD-500000
76	OP	OP82	ADI	AD-500000
77	OP	OP83	ADI	AD-500000
78	OP	OP84	ADI	AD-500000
79	OP	OP85	ADI	AD-500000
80	OP	OP86	ADI	AD-500000
81	OP	OP87	ADI	AD-500000
82	OP	OP88	ADI	AD-500000
83	OP	OP89	ADI	AD-500000
84	OP	OP90	ADI	AD-500000
85	OP	OP91	ADI	AD-500000
86	OP	OP92	ADI	AD-500000
87	OP	OP93	ADI	AD-500000
88	OP	OP94	ADI	AD-500000
89	OP	OP95	ADI	AD-500000
90	OP	OP96	ADI	AD-500000
91	OP	OP97	ADI	AD-500000
92	OP	OP98	ADI	AD-500000
93	OP	OP99	ADI	AD-500000
94	OP	OP100	ADI	AD-500000



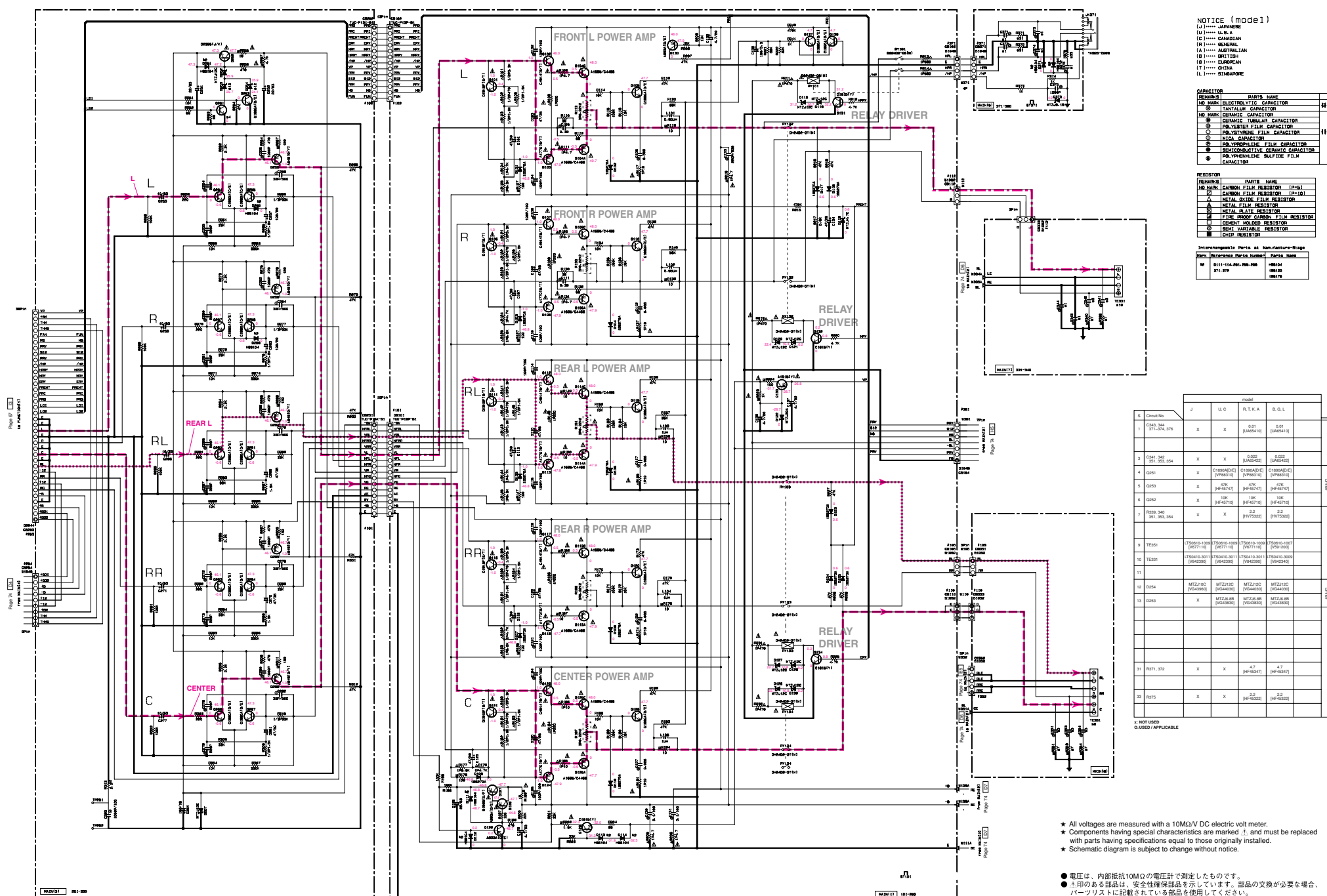
: RX-V530/RX-V530RDS/HTR-5550/HTR-5550RDS/DSP-AX530 only

J model only (DSP-AX530/DSP-AX430)

- * All voltages are measured with a 10MΩ/V DC electric volt meter.
- * Components having special characteristics are marked ① and must be replaced with parts having specifications equal to those originally installed.
- * Schematic diagram is subject to change without notice.
- 電圧は、内部抵抗10MΩの電圧計で測定したものです。
- ①印のある部品は、安全性確保部品を示しています。部品の交換が必要な場合、パーツリストに記載されている部品を使用してください。
- 本回路図は標準回路図です。改良のため予告なく変更することがございます。



■ SCHEMATIC DIAGRAM (MAIN 1/2) RX-V530/RX-V530RDS/HTR-5550/HTR-5550RDS/DSP-AX530/RX-V430RDS/HTR-5540RDS only



NOTICE (model)
 (J)..... JAPANESE
 (U)..... U.S.A.
 (C)..... CANADIAN
 (R)..... GENERAL
 (A)..... AUSTRALIAN
 (B)..... BRITISH
 (E)..... EUROPEAN
 (T)..... CHINA
 (L)..... SINGAPORE

CAPACITOR

REMARKS	PARTS NAME	UNIT
NO MARK	ELECTROLYTIC CAPACITOR	μF
◎	TANTALUM CAPACITOR	μF
○	CEMICAP CERAMIC CAPACITOR	μF
○	NON-VARIABLE FILM CAPACITOR	μF
○	POLYESTER FILM CAPACITOR	μF
○	MICA CAPACITOR	μF
○	POLYPROPYLENE FILM CAPACITOR	μF
○	BIPOLELECTRIVE CERAMIC CAPACITOR	μF
○	POLYPROPYLENE BIPOLAR FILM CAPACITOR	μF

RESISTOR

REMARKS	PARTS NAME	UNIT
NO MARK	CARBON FILM RESISTOR (DIP)	Ω
○	CARBON FILM RESISTOR (P-10)	Ω
△	METAL FILM RESISTOR	Ω
□	METAL PLATE RESISTOR	Ω
○	FILM THICK CARBON FILM RESISTOR	Ω
○	CEMENT MOUNTED RESISTOR	Ω
■	CHIP RESISTOR	Ω

Interchangeable Parts at Manufacture Stage

Part No.	Reference Part No.	Part No.	Part No.
M	D111-114-001-000-000	4864A	4864A
	071-070	18010	18010

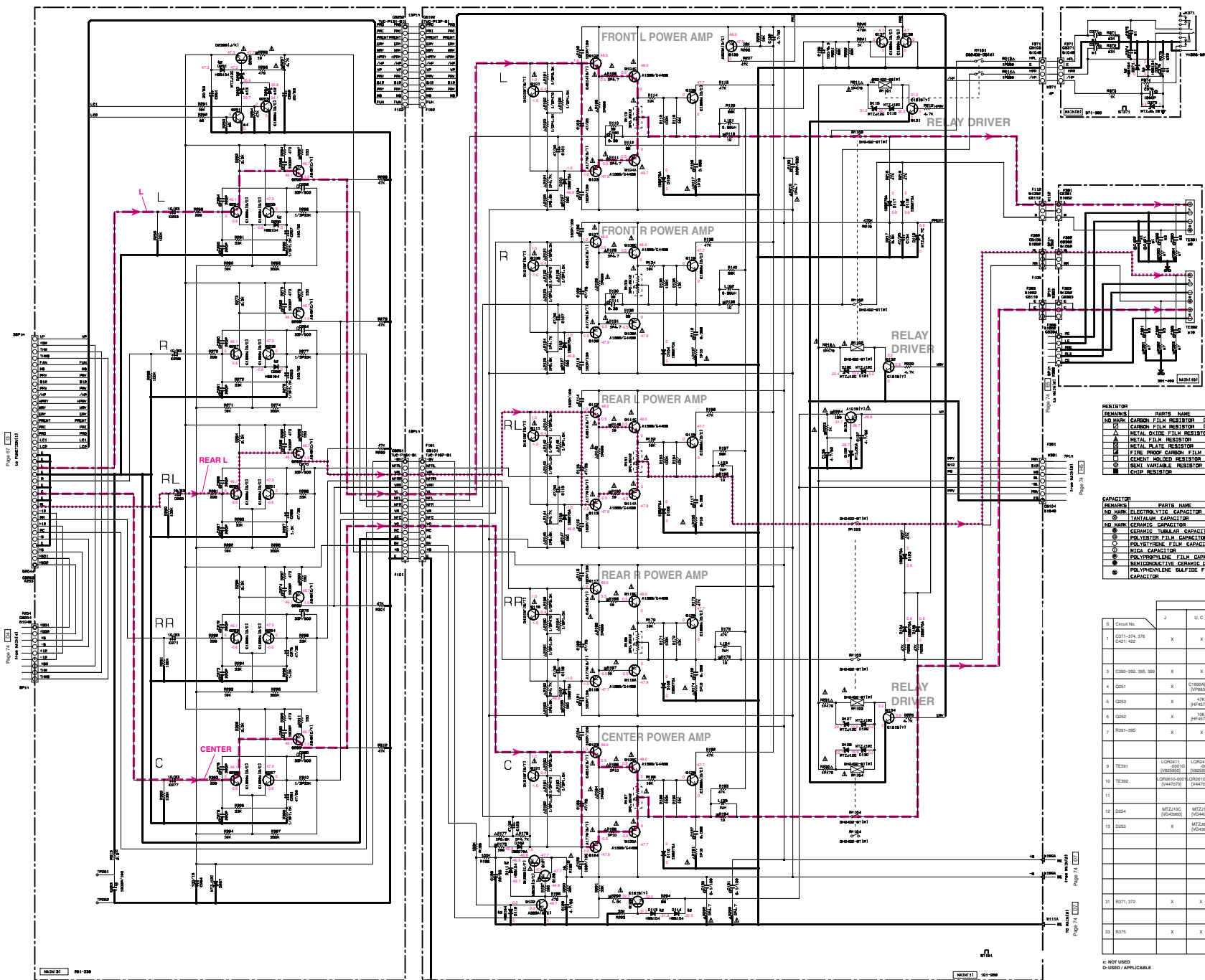
Row	Cl. No.	J	U.C	model	R.T.K.A	E.G.L
1	C245 344 271-374-376	X	X	0.01 (JMS410)	0.01 (JMS410)	
2	C241 342 351 353 354	X	X	0.002 (JMS422)	0.002 (JMS422)	
3	C201	X		0.000010 (F98310)	0.000010 (F98310)	
4	C203	X		47K (F45710)	47K (F45710)	
5	C205	X		10K (F45710)	10K (F45710)	
6	C202 340 351 353 354	X	X	10K (F45710)	10K (F45710)	
7	C204 340 351 353 354	X	X	2.2 (F45710)	2.2 (F45710)	
8	TE31			170010-1000 (W77110)	170010-1000 (W77110)	
9	TE31			170410-3011 (W42001)	170410-3011 (W42001)	
10	D204			MF2J100 (V64400)	MF2J100 (V64400)	
11	D203	X	X	MF2J100 (V64400)	MF2J100 (V64400)	
12	D205	X	X	MF2J100 (V64400)	MF2J100 (V64400)	
13	R201 372	X	X	4.7 (F45247)	4.7 (F45247)	
14	R210	X	X	2.2 (F45202)	2.2 (F45202)	

○ NOT USED
 □ CIRCLED / APPLICABLE

- ★ All voltages are measured with a 10MΩ/V DC electric volt meter.
 - ★ Components having special characteristics are marked ! and must be replaced with parts having specifications equal to those originally installed.
 - ★ Schematic diagram is subject to change without notice.
- 電圧は、内部抵抗10MΩの電圧計で測定したものです。
 ● !印のある部品は、安全性確保部品を示しています。部品の交換が必要な場合、パーツリストに記載されている部品を使用してください。
 ● 本回路図は標準回路図です。改良のため予告なく変更することがございます。

■ SCHEMATIC DIAGRAM (MAIN 1/2) RX-V530/HTR-5540/DSP-AX430 only

RX-V530/RX-V530RDS/HTR-5550/HTR-5550RDS/DSP-AX530
RX-V430/RX-V430RDS/HTR-5540/HTR-5540RDS/DSP-AX430



RESISTOR

RESISTOR	PARTS NAME	MANUFACTURE'S PARTS NO.	MANUFACTURE'S NUMBER	IPC-1830 NUMBER
NO MARK	CARBON FILM RESISTOR (F-D)			
□	CARBON FILM RESISTOR (F-D)			
△	METAL OXIDE FILM RESISTOR			
◇	METAL FILM RESISTOR			
■	METAL PLATE RESISTOR			
○	FINE PITCH CARBON FILM RESISTOR			
◎	CONDUCTIVE COATED RESISTOR			
⊙	TRIMMABLE RESISTOR			
⊕	CHIP RESISTOR			

CAPACITOR

CAPACITOR	PARTS NAME	MANUFACTURE'S PARTS NO.	MANUFACTURE'S NUMBER	IPC-1830 NUMBER
NO MARK	ELECTROLYTIC CAPACITOR			
⊖	TANTALUM CAPACITOR			
□	CERAMIC CAPACITOR			
◇	GENERAL PURPOSE CAPACITOR			
○	POLYESTER FILM CAPACITOR			
◎	POLYPROPYLENE FILM CAPACITOR			
⊙	SOIL CAPACITOR			
⊕	POLYPROPYLENE FILM CAPACITOR			
⊖	NONINDUCTIVE CERAMIC CAPACITOR			
⊗	POLYETHYLENE SULFIDE FILM CAPACITOR			

NOTICE (model)

● J JAPANESE
 U U.S.A.
 C CANADIAN
 R GENERAL
 A AUSTRALIAN
 B BRITISH
 E EUROPEAN
 T CHINA
 L SINGAPORE

Chart No.	J	U.C.	R.T.K.A.	L
1 C271-274, 376 C281-322	X	X	0.01 [JMS410]	0.01 [JMS410]
2 C390-392, 395, 399	X	X	0.02 [JMS420]	0.02 [JMS420]
4 G251	X		C180A(4E) [YF8510]	C180A(4E) [YF8510]
5 G252	X		47K [YF45747]	47K [YF45747]
6 G253	X		10K [YF45710]	10K [YF45710]
7 R311-315	X	X	2.2 [YF75202]	2.2 [YF75202]
9 TE301	CGP2411 [Y462011]	CGP2411 [Y462011]	CGP2411 [Y462011]	CGP2411 [Y462011]
10 TE302	CGP2411-0000 [Y447010]	CGP2411-0000 [Y447010]	CGP2411-0000 [Y447010]	CGP2411-0000 [Y447010]
11				
12 D254	MTZ12C [Y543800]	MTZ12C [Y543800]	MTZ12C [Y543800]	MTZ12C [Y543800]
13 D253	X		MTZ16.8B [Y543805]	MTZ16.8B [Y543805]
21 R371, 372	X	X	4.7 [YF45471]	4.7 [YF45471]
23 R375	X	X	2.2 [YF45222]	2.2 [YF45222]

○ NOT USED
 □ USED / APPLICABLE

* All voltages are measured with a 10MΩ/V DC electric volt meter.
 * Components having special characteristics are marked with a triangle and must be replaced with parts having specifications equal to those originally installed.
 * Schematic diagram is subject to change without notice.

● 電圧は、内部抵抗10MΩの電圧計で測定したものです。
 ● 印のある部品は、安全確保部品を示しています。部品の交換が必要な場合、パーツリストに記載されている部品を使用してください。
 ● 本回路図は標準回路図です。改良のため予告なく変更することがございます。

■ SCHEMATIC DIAGRAM / (MAIN 2/2)

RESISTOR

REMARKS	PARTS NAME
NO MARK	CARBON FILM RESISTOR (P=5)
☒	CARBON FILM RESISTOR (P=10)
△	METAL OXIDE FILM RESISTOR
⊠	METAL FILM RESISTOR
⊡	METAL PLATE RESISTOR
▣	FIRE PROOF CARBON FILM RESISTOR
□	CEMENT MOLDED RESISTOR
⊕	SEMI VARIABLE RESISTOR
■	CHIP RESISTOR

CAPACITOR

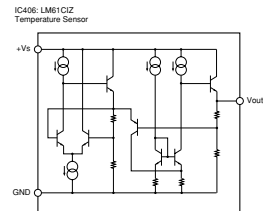
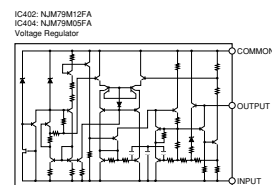
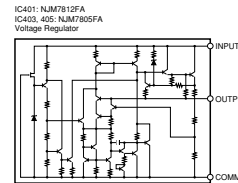
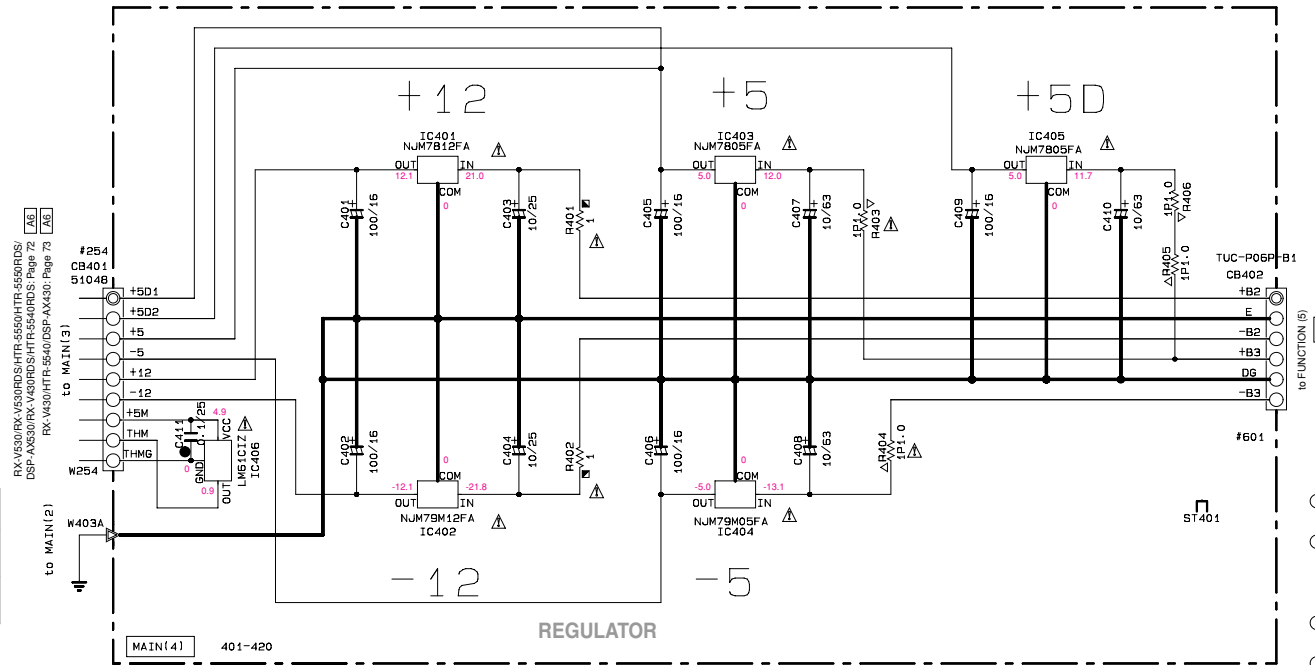
REMARKS	PARTS NAME
NO MARK	ELECTROLYTIC CAPACITOR
⊗	TANTALUM CAPACITOR
NO MARK	CERAMIC CAPACITOR
●	CERAMIC TUBULAR CAPACITOR
⊙	POLYESTER FILM CAPACITOR
○	POLYSTYRENE FILM CAPACITOR
Ⓜ	MICA CAPACITOR
Ⓟ	POLYPROPYLENE FILM CAPACITOR
Ⓢ	SEMICONDUCTIVE CERAMIC CAPACITOR

NOTICE (model)

- (J)..... JAPANESE
- (U)..... U. S. A
- (C)..... CANADIAN
- (R)..... GENERAL
- (A)..... AUSTRALIAN
- (B)..... BRITISH
- (G)..... EUROPEAN
- (T)..... CHINA
- (L)..... SINGAPORE

6	Circuit No.	J	U. C. R. T. K
21	J3B1, 3B2	D	X
22	SW3B1	X	SL13B-022AMCS [V410420]

x: NOT USED
 o: USED/APPLICABLE



RX-V530/RX-V530RDS/HTR-5550/HTR-5550RDS/
 DSP-AX530/RX-V430RDS/HTR-5540RDS: Page 72 to MAIN (8)
 RX-V430/HTR-5540/DSP-AX430: Page 73 to MAIN (10)

RX-V530/RX-V530RDS/HTR-5550/HTR-5550RDS/
 DSP-AX530/RX-V430RDS/HTR-5540RDS: Page 72
 RX-V430/HTR-5540/DSP-AX430: Page 73

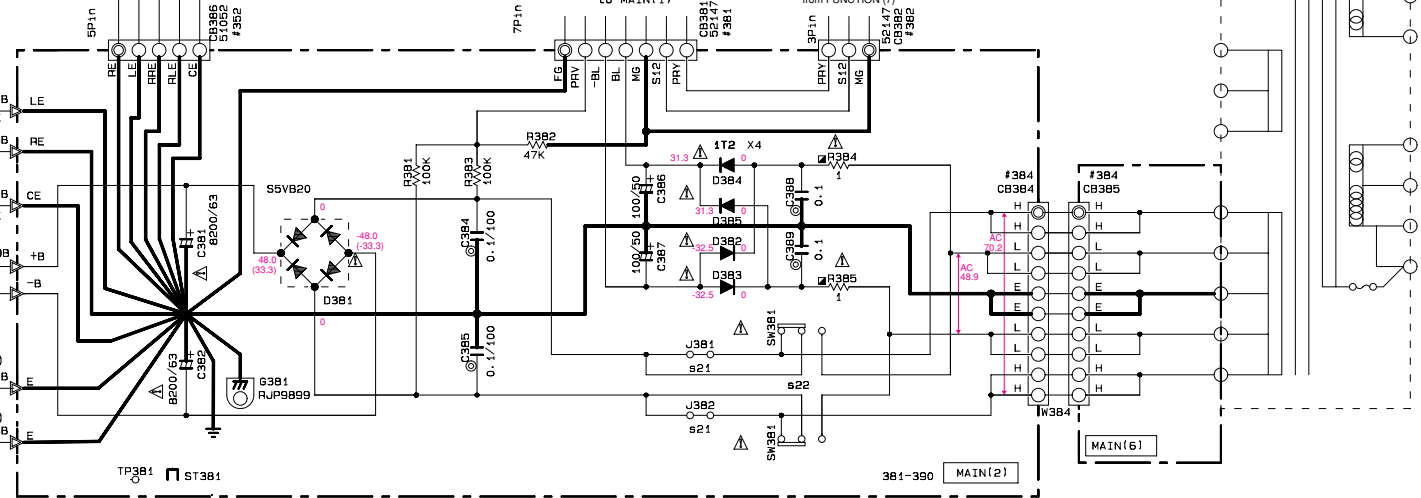
RX-V530/RX-V530RDS/HTR-5550/HTR-5550RDS/
 DSP-AX530/RX-V430RDS/HTR-5540RDS only: Page 72

RX-V530/RX-V530RDS/HTR-5550/HTR-5550RDS/
 DSP-AX530/RX-V430RDS/HTR-5540RDS only: Page 72

RX-V530/RX-V530RDS/HTR-5550/HTR-5550RDS/
 DSP-AX530/RX-V430RDS/HTR-5540RDS: Page 72
 RX-V430/HTR-5540/DSP-AX430: Page 73

RX-V530/RX-V530RDS/HTR-5550/HTR-5550RDS/
 DSP-AX530/RX-V430RDS/HTR-5540RDS: Page 72
 RX-V430/HTR-5540/DSP-AX430: Page 73

RX-V530/RX-V530RDS/HTR-5550/HTR-5550RDS/
 DSP-AX530/RX-V430RDS/HTR-5540RDS: Page 72
 RX-V430/HTR-5540/DSP-AX430: Page 73



★ All voltages are measured with a 10MΩ/V DC electric volt meter.
 ★ Components having special characteristics are marked △, and must be replaced with parts having specifications equal to those originally installed.
 ★ Schematic diagram is subject to change without notice.

● 電圧は、内部抵抗10MΩの電圧計で測定したものです。
 ● △印のある部品は、安全性確保部品を示しています。部品の交換が必要な場合、パーツリストに記載されている部品を使用してください。
 ● 本回路図は標準回路図です。改良のため予告なく変更することがございます。